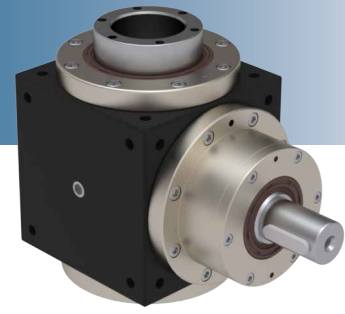


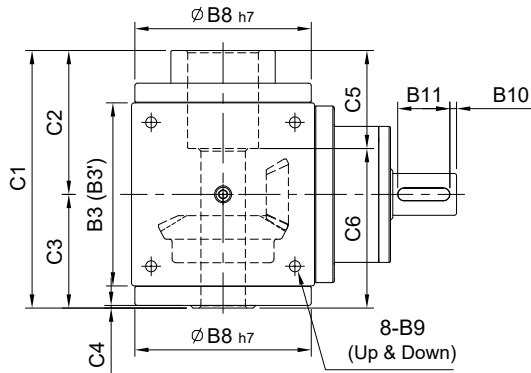
ST-DP series

RATIO : 2.3.4.5 (單段 1-Stage)

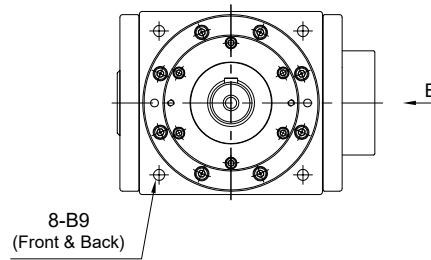
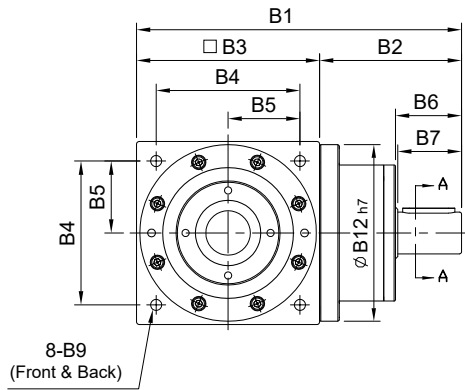
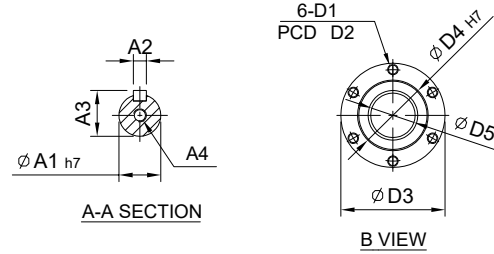


單入力軸心 - 螺桿式

Single Input Shaft - Ball Screw



R 軸
Shaft Direction



unit: mm

Model Code	75	90	110	140	170	210	240	
A	A1	16	18	22	32	40	55	
	A2	5	6	6	10	12	16	
	A3	18	20.5	24.5	35	43	59	
	A4	M5 x P0.8	M8 x P1.25	M8 x P1.25	M10 x P1.5	M12 x P1.75	M12 x P1.75	M16 x P2.0
B	B1	143	169	207	250	300	430	
	B2	68	79	97	110	130	190	
	B3(B3')	75(74)	90	110	140	170(168)	210	240
	B4	60	72	88	110	134	170	190
	B5	30	36	44	55	67	85	95
	B6	32	38	43	53.5	64	77	82
	B7	30	35	40	50	60	75	80
	B8	73	88	106	135	164	205	228
	B9	M6 x P1.0	M6 x P1.0	M8 x P1.25	M10 x P1.5	M12 x P1.75	M16 x P2.0	M16 x P2.0
	B10	2.5	5	5	5	5	5	5
B11	25	25	30	40	50	65	70	
B12	73	88	106	135	164	205	228	
C	C1	106	127	156	197	223	267	309
	C2	57	68	84	109	121	142	162.5
	C3	49	59	72	88	102	125	146.5
	C4	1.25	2	2	2	2.25	2.25	2.5
	C5	33	44	55	75	72	82	92
	C6	73	83	101	122	153	185	217
D	D1	M4 x P0.7	M5 x P0.8	M5 x P0.8	M8 x P1.25	M10 x P1.5	M10 x P1.5	M12 x P1.75
	D2	36	40	45	70	77	84	97
	D3	41.5	46.5	57.5	79.5	89.5	99.5	117.5
	D4	26	30	36	54	58	64	75
	D5	15	18	22	34	38	42	54
Weight ±3% (kg)	2.8	4.9	8.59	15.5	25	53		