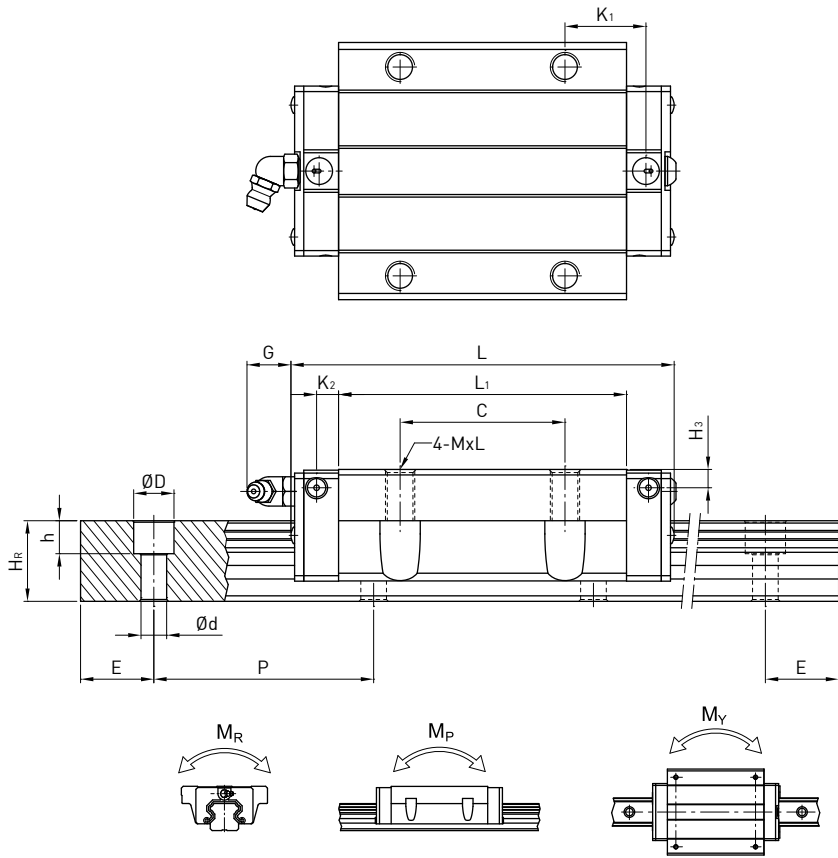
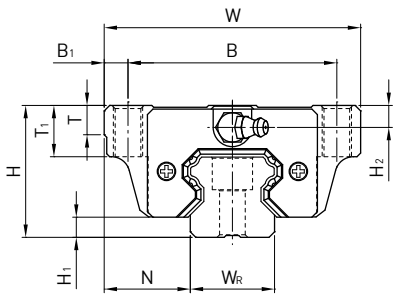


HG Series

Heavy Load Ball Type

(3) HGW-CA / HGW-HA



| Model No. | Dimensions of Assembly (mm) | | Dimensions of Block (mm) | | | | | | | | | | | | | | Mounting Bolt for Rail (mm) | Basic Dynamic Load Rating C(kN) | Basic Static Load Rating C0(kN) | Static Rated Moment | | | Weight | | | | | | | | | |
|-----------|-----------------------------|-----|--------------------------|-----|-----|-----|-----|-------|-------|-------|------|------|-----|------|------|------|-----------------------------|---------------------------------|---------------------------------|---------------------|-----|-----|--------|------|--------|-------|--------|------|------|------|----------|-----------|
| | H | H1 | N | W | B | B1 | C | L1 | L | K1 | K2 | G | M | T | T1 | H2 | | | | H3 | WR | HR | D | h | d | P | E | MR | MP | MY | Block kg | Rail kg/m |
| | | | | | | | | | | | | | | | | | | | | | | | | | | | | | | | | |
| HGW15CA | 24 | 4.3 | 16 | 47 | 38 | 4.5 | 30 | 39.4 | 61.4 | 8 | 4.85 | 5.3 | M5 | 6 | 8.9 | 3.95 | 3.7 | 15 | 15 | 7.5 | 5.3 | 4.5 | 60 | 20 | M4x16 | 14.7 | 23.47 | 0.12 | 0.10 | 0.10 | 0.17 | 1.45 |
| HGW20CA | 30 | 4.6 | 21.5 | 63 | 53 | 5 | 40 | 50.5 | 77.5 | 10.25 | 6 | 12 | M6 | 8 | 10 | 6 | 6 | 20 | 17.5 | 9.5 | 8.5 | 6 | 60 | 20 | M5x16 | 27.1 | 36.68 | 0.27 | 0.20 | 0.20 | 0.40 | 2.21 |
| HGW20HA | | | | | | | | 65.2 | 92.2 | 17.6 | | | | | | | | | | | | | | | | 32.7 | 47.96 | 0.35 | 0.35 | 0.35 | 0.52 | |
| HGW25CA | 36 | 5.5 | 23.5 | 70 | 57 | 6.5 | 45 | 58 | 84 | 10.7 | 6 | 12 | M8 | 8 | 14 | 6 | 5 | 23 | 22 | 11 | 9 | 7 | 60 | 20 | M6x20 | 34.9 | 52.82 | 0.42 | 0.33 | 0.33 | 0.59 | 3.21 |
| HGW25HA | | | | | | | | 78.6 | 104.6 | 21 | | | | | | | | | | | | | | | | 42.2 | 69.07 | 0.56 | 0.57 | 0.57 | 0.80 | |
| HGW30CA | 42 | 6 | 31 | 90 | 72 | 9 | 52 | 70 | 97.4 | 14.25 | 6 | 12 | M10 | 8.5 | 16 | 6.5 | 10.8 | 28 | 26 | 14 | 12 | 9 | 80 | 20 | M8x25 | 48.5 | 71.87 | 0.66 | 0.53 | 0.53 | 1.09 | 4.47 |
| HGW30HA | | | | | | | | 93 | 120.4 | 25.75 | | | | | | | | | | | | | | | | 58.6 | 93.99 | 0.88 | 0.92 | 0.92 | 1.44 | |
| HGW35CA | 48 | 7.5 | 33 | 100 | 82 | 9 | 62 | 80 | 112.4 | 14.6 | 7 | 12 | M10 | 10.1 | 18 | 9 | 12.6 | 34 | 29 | 14 | 12 | 9 | 80 | 20 | M8x25 | 64.6 | 93.88 | 1.16 | 0.81 | 0.81 | 1.56 | 6.30 |
| HGW35HA | | | | | | | | 105.8 | 138.2 | 27.5 | | | | | | | | | | | | | | | | 77.9 | 122.77 | 1.54 | 1.40 | 1.40 | 2.06 | |
| HGW45CA | 60 | 9.5 | 37.5 | 120 | 100 | 10 | 80 | 97 | 139.4 | 13 | 10 | 12.9 | M12 | 15.1 | 22 | 8.5 | 20.5 | 45 | 38 | 20 | 17 | 14 | 105 | 22.5 | M12x35 | 103.8 | 146.71 | 1.98 | 1.55 | 1.55 | 2.79 | 10.41 |
| HGW45HA | | | | | | | | 128.8 | 171.2 | 28.9 | | | | | | | | | | | | | | | | 125.3 | 191.85 | 2.63 | 2.68 | 2.68 | 3.69 | |
| HGW55CA | 70 | 13 | 43.5 | 140 | 116 | 12 | 95 | 117.7 | 166.7 | 17.35 | 11 | 12.9 | M14 | 17.5 | 26.5 | 12 | 19 | 53 | 44 | 23 | 20 | 16 | 120 | 30 | M14x45 | 153.2 | 211.23 | 3.69 | 2.64 | 2.64 | 4.52 | 15.08 |
| HGW55HA | | | | | | | | 155.8 | 204.8 | 36.4 | | | | | | | | | | | | | | | | 184.9 | 276.23 | 4.88 | 4.57 | 4.57 | 5.96 | |
| HGW65CA | 90 | 15 | 53.5 | 170 | 142 | 14 | 110 | 144.2 | 200.2 | 23.1 | 14 | 12.9 | M16 | 25 | 37.5 | 15 | 15 | 63 | 53 | 26 | 22 | 18 | 150 | 35 | M16x50 | 213.2 | 287.48 | 6.65 | 4.27 | 4.27 | 9.17 | 21.18 |
| HGW65HA | | | | | | | | 203.6 | 259.6 | 52.8 | | | | | | | | | | | | | | | | 277.8 | 420.17 | 9.38 | 7.38 | 7.38 | 12.89 | |

Note : 1 kgf = 9.81 N